

Question or Item	Answer
Did you verify that you are using the most recent version of this form?	<input checked="" type="checkbox"/> Yes <input type="checkbox"/> No
Date	2022-10-28
Individual creating the CSB:	Matthew Bell
Product(s) affected:	Welch Allyn Connex Spot Monitor and Welch Allyn Connex Vital Sign Monitor Work Surface Mobile Stand
Hardware Version(s) affected:	N/A
Software Version(s) affected:	N/A
Serial Number(s) affected	N/A
Lot or Date Code Affected	N/A
Subject	Welch Allyn Connex Spot Monitor and Welch Allyn Connex Vital Sign Monitor Work Surface Mobile Stand
Distribution:	<input checked="" type="checkbox"/> Product Service <input checked="" type="checkbox"/> Field Service <input checked="" type="checkbox"/> Customer Care <input checked="" type="checkbox"/> Authorized Service Providers (ASP) OR Distributors <input type="checkbox"/> Other

Issue details

The Welch Allyn Connex Spot Monitor Work Surface Mobile Stands 7000-APM and 7000-MWS and the Welch Allyn Connex Vital Sign Work Surface Mobile Stands 4800-60 (ACM) and 4900-60 (ACM Extended Chassis) have been re-designed with new bins.

New Service Kits have been designed to accommodate the release of these stands.

Note: The new bins and coupler are not backwards compatible, and there are no “upgrade kits” available to upgrade an existing older design stand to the new design. The Coupler Service Kit is backwards compatible with the 4400-MBS stand for SPOT 4400 ONLY.

Mobile Stand Enhancements - Overview:

Enhancement to the accessory bin design and upright pole assembly for the following mobile stands:

Connex Spot Monitor

- 7000-APM
- 7000-MWS

Connex Vital Signs Monitor

- 4800-60 (ACM Standard Chassis)
- 4900-60 (ACM Extended Chassis)

Key Enhancements:

- Additional rear bin space
- Easy-to-clean rounded edges
- Built-in wipe holder – eliminating separate wire frame holder.
- Fastening screw for top / bottom half assembly of upright pole.

Important notes:

- No changes to part numbers or pricing as a result of this activity.
- This change will replace the legacy stand design.
- Service kits for the legacy stand design will no longer be manufactured. New service kits have been released to accommodate the new stand design, but they are not backwards compatible with the legacy stand design of the 7000-APM, 7000-MWS, 4800-60, and 4900-60 stands.
- There are no service kits to mount the new bin design to the legacy stands.
- Users will now be mounting the Front and Rear bins to the stand.

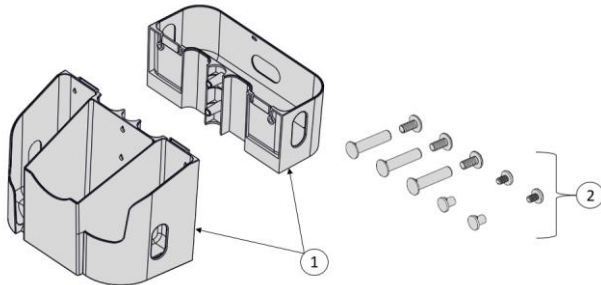
Mobile Stand Enhancements – Design Changes

Solution/Action:

New Service Kits have been designed to accommodate the release of these stands. The Coupler Service Kit is backwards compatible with the 4400-MBS stand for SPOT 4400 ONLY.

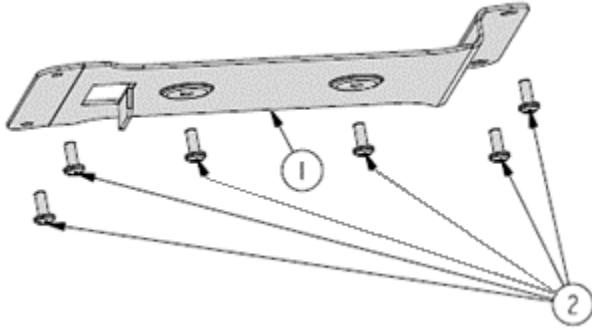
Service Kits

- **108862 - REPLACEMENT MBS BIN SET**


Contents:

420498	MBS BIN SET	1
420710	BIN TO POLE HARDWARE KIT	1
774808	MBS BINS SERVICE KIT BOX	1
774809	Bins Service Kit Filler	1

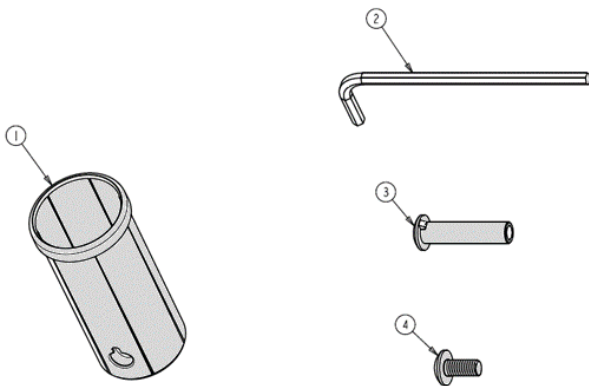
- **108863 - REPLACEMENT MBS POWER SUPPLY BRACKET**



Contents:

774583	BS POWER SUPPLY BRACKET	1
714791	SCREW, M4x0.7 x 10 PHP W/ PATCH	6
M11077	6 X 10 2MIL POLY BAG CLEAR	1

- **108864 - REPLACEMENT COUPLER HARDWARE KIT***



Contents:

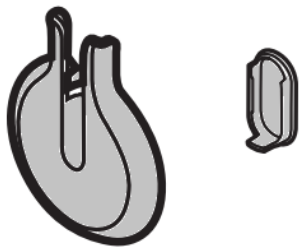
413051	COUPLER HARDWARE KIT	1
728163	COUPLER, MALE TOP POLE W/HOLE	1
092009W	WRENCH, ALLEN 4MM	1
728145	AXLE BOLT	1
728144	AXLE SCREW	1

* Backwards compatible with the 4400-MBS stand for SPOT 4400.

- 108762 - REPLACEMENT TOOL KIT MOBILE STAND


Contents:

421384	TOOL KIT MOBILE STAND 4th EDITION	1
900206	BOX, SHELF, 7.63 X 4.63 X 2.25	1
721353	LABEL, BLANK 1.5" x 4", ROLL	1
713030	SCREW, M4x0.7 x 12 PHP	2
M11039	3X4 BAG	1


Contents:

406941	SPO2 SPOOL KIT, ACM	1
714503	SPO2 SPOOL MOBS	1
723712	SPO2 SPOOL RETAINER, W/ HOLES	1
715762	RUBBER INSERT, SPOOL RETAINER	1
721353	LABEL, BLANK 1.5" x 4", ROLL	1
900206	BOX, SHELF, 7.63 X 4.63 X 2.25	1

** Existing service kit - Backwards compatible with the old and the new designs of the 7000-MWS, 7000-APM, 4900-60, and 4800-60 mobile stands.

Revision History of Document

Ver	Description	Reason for Change	Author	Date [YYYY-MM-DD]
A	Initial Release	Initial Release	D*	D*
B	Revised Document	Clarify Mobile Stand Design Changes and Key Enhancements, Add 103883 - SPO2 SPOOL KIT, ACM	D*	D*